



NEW FROM CONEC – SCREEN CAPS WITH LANYARDS & CAPTIVE SCREWS



FEATURES AND BENEFITS

- Easy to secure captive 4-40UNC thumb screw hardware
- Durable 4.25” long free rotating metal lanyard
- For both male and female connectors
- Water resistant (IP 67) and standard versions
- EMI/RFI protection
- Available in optional M3 screw thread
- RoHS Compliant
- 50 position versions available-consult factory

TECHNICAL DATA

Metal Shells with Tin Plating

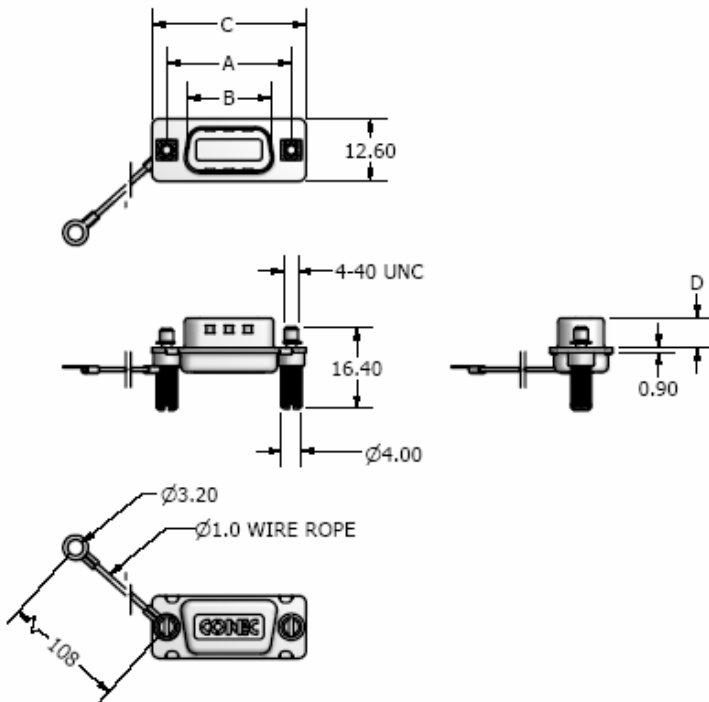
Lanyard Stainless Steel Wire Rope (4.25” Long)

Thumbscrews Steel Nickel Plate or Stainless Steel (IP67 versions only)

Maximum Torque Value for Threads 6 in LB

TPE Ethylene Propylene Thermoplastic Rubber Seal (IP67 Versions only).

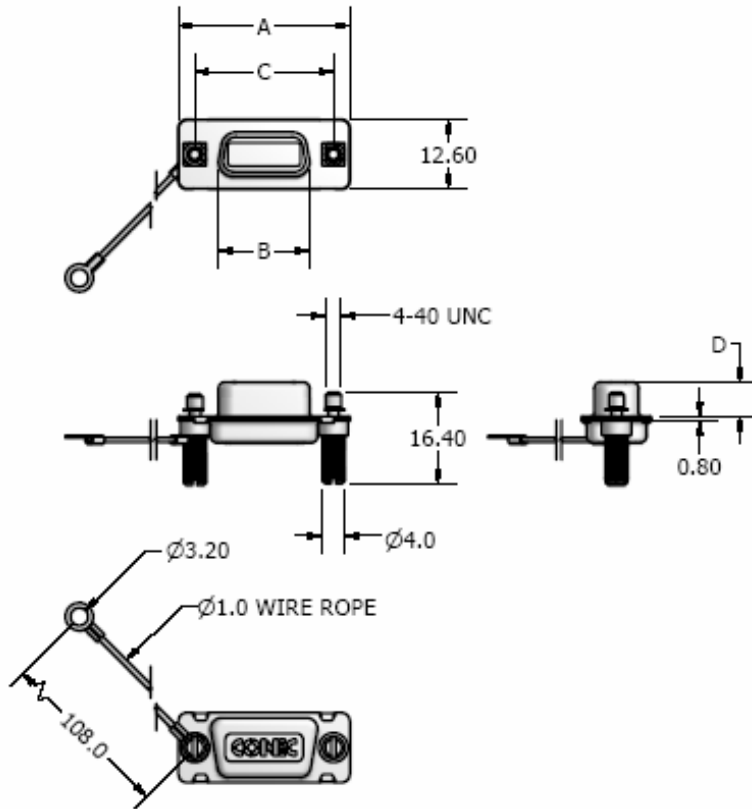
For Socket Connectors



No. of Pos.	A	B	C	D
9	31.19	16.79	25.00	6.12
15	39.52	25.12	33.30	6.12
25	53.42	38.84	47.04	5.99
37	69.70	55.30	63.50	5.99



For Plug Connectors



No. of Pos.	A	B	C	D
9	31.19	16.46	25.00	6.12
15	39.52	24.79	33.30	6.12
25	53.42	38.50	47.04	5.99
37	69.70	54.96	63.50	5.99

Part Numbers

No of Pos.	Standard for plug	Standard for Receptacle	Water Resistant for Plug	Water Resistant for Receptacle
9	16-000380	16-000280	15-000110	15-000010
15	16-000390	16-000290	15-000120	15-000020
25	16-000400	16-000300	15-000130	15-000030
37	16-000410	16-000310	15-000140	15-000040

Mouser Electronics

Authorized Distributor

Click to View Pricing, Inventory, Delivery & Lifecycle Information:

[CONEC:](#)

[15-000110](#)